

AOR® DA5000 - discone aerial for professional applications 700MHz ~ 3GHz

The DA5000 is a professionally constructed 'compact' discone aerial for the upper UHF frequency range of 700MHz to 3GHz (3,000MHz). The top section comprises of 16 horizontal elements and the lower section has eight radials mounted on a solid stub terminated in a N-type socket.

The construction is largely of brass (BsBM) accounting for its weight of 700g, it is finished in a military grey colour. The overall length from the top elements to the N-socket is about 240mm with the overall top diameter being 82mm and each radial 100mm long.

Termination is via a N-socket which is housed within the stub-mast to keep adverse weather out. Use of quality 50 OHM coaxial cable is essential, at least URM67 / RG213 for short lengths and even better quality for longer cable runs.

Avoid touching the horizontal elements, improper handling of the horizontal elements will degrade the aerial's performance. Due to the exacting method of construction, it is not possible to replace components which are mishandled and accidentally damaged by the customer.

The DA5000 is supplied with an aluminium stub-mast of 32mm diameter and 400mm in length, clamps to secure the aerial / stub-mast / support pole (support pole not included), 'V' brackets are also included which accept a support pole of 25mm - 50mm diameter.

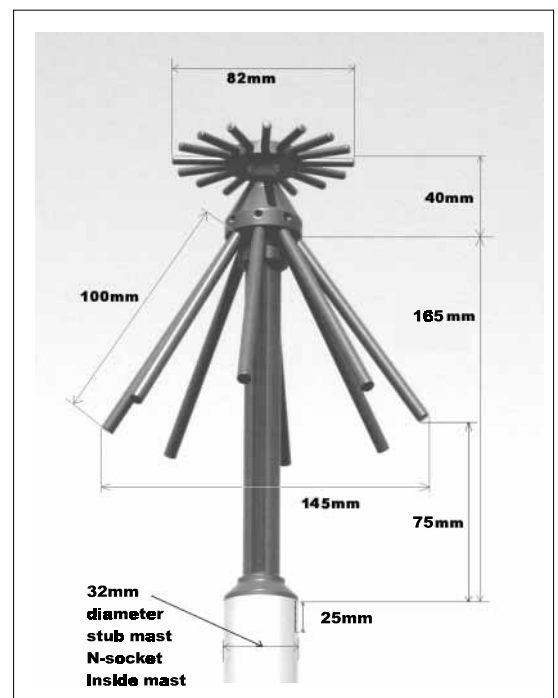
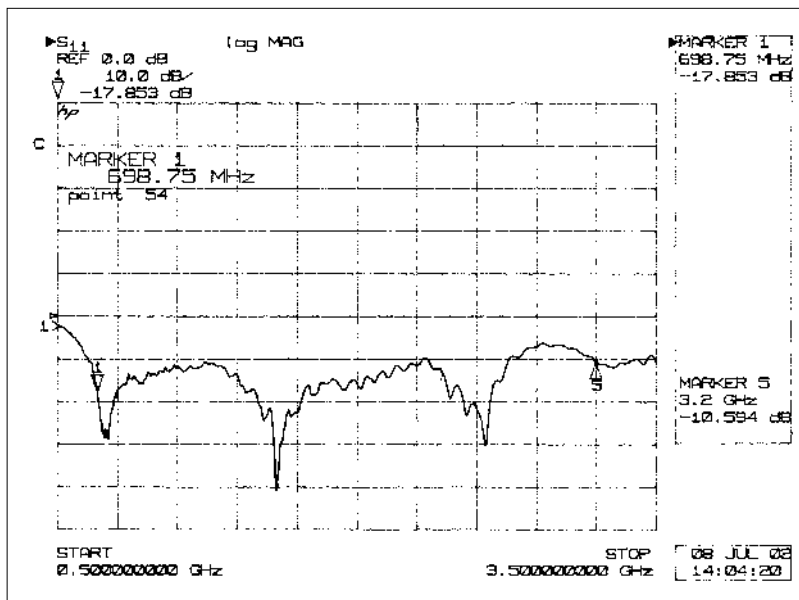
Specification

Frequency coverage	700MHz - 3GHz (3,000MHz)
Aerial gain (max)	2.5dB (see plot) vertical omni-directional
Impedance	50 OHM
Termination	N-socket, female
Horizontal elements	16, overall top diameter 82mm
Radials	8, 100mm long, overall outer diameter 145mm
Overall height	240mm
Wind resistance	up to 40m/S (theoretical)
Stub-mast	32mm diameter, 400mm long
Support pole size	25mm - 50mm (not included)
Coaxial cable	Use low loss (not supplied)

Supplied items

- 1 x DA5000 aerial
- 1 x stub-mast with large securing bolt and split washer
- 2 x support clamp with two small bolts
- 2 x 'V' brackets with four washers & nuts
- 1 x instruction manual

Note: measurements approx, not intended for transmit



AOR Ltd

2-6-4 Misuji, Taito-ku, Tokyo 111-0055, Japan.
Tel: +81 3 3865 1695 Fax: +81 3 3865 1697
post@ajorja.com www.ajorja.com

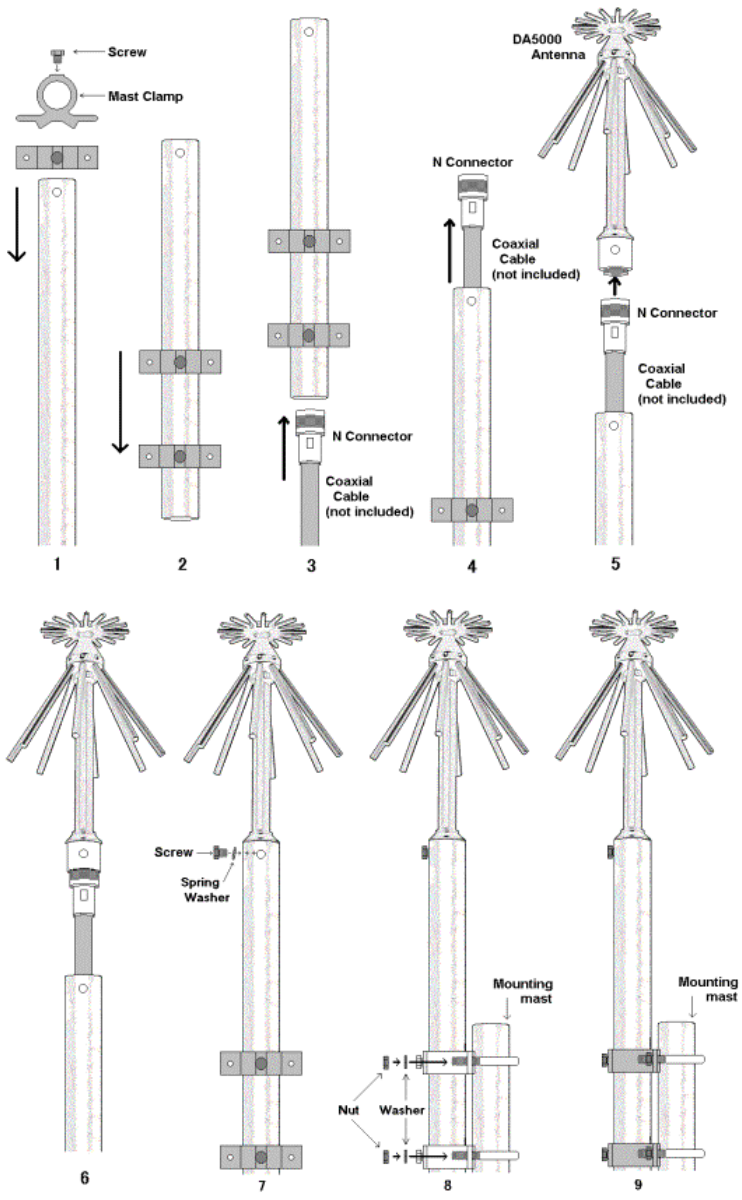
Autoryzowany Przedstawiciel AOR w Polsce:

abel
profit
centrum radiokomunikacji

INRADIO
ABEL & PRO-FIT
ul. Puzzkina 80 92-516 Łódź
tel. (+42) 649 28 28
e-mail: biuro@inRADIO.pl
internet: www.inRADIO.pl

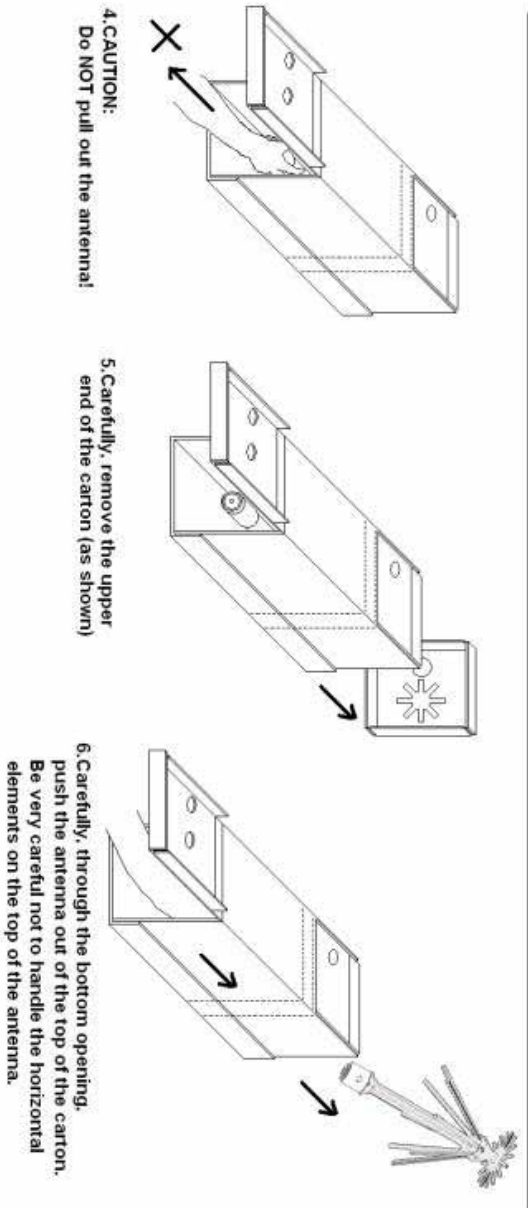
IMPORTANT !!! READ unpacking instructions before proceeding !!!
 Do NOT touch the horizontal elements! Improper handling of the horizontal elements will degrade the aerial's performance.

Do NOT touch the horizontal elements! Improper handling of the horizontal elements will degrade the aerial's performance.

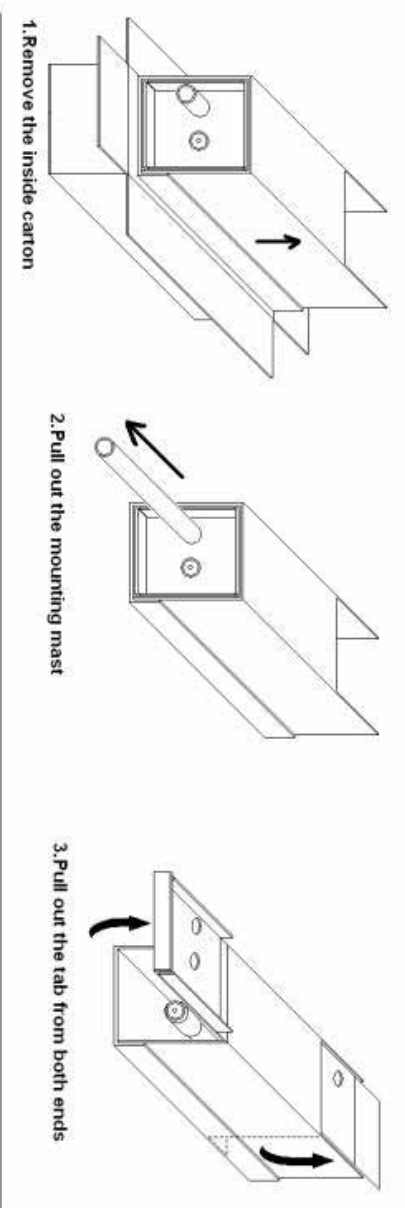


Assembly instructions

1. Connect the N connector
2. Insert the screw with washer (as shown)
3. Secure to stub-mast (included) and to mounting pole (not supplied)



4. CAUTION: Do NOT pull out the antenna!
5. Carefully, remove the upper end of the carton (as shown)
6. Carefully, through the bottom opening, push the antenna out of the top of the carton. Be very careful not to handle the horizontal elements on the top of the antenna.



1. Remove the inside carton
2. Pull out the mounting mast
3. Pull out the tab from both ends