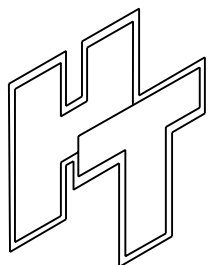
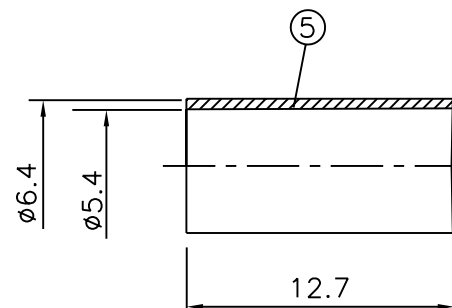
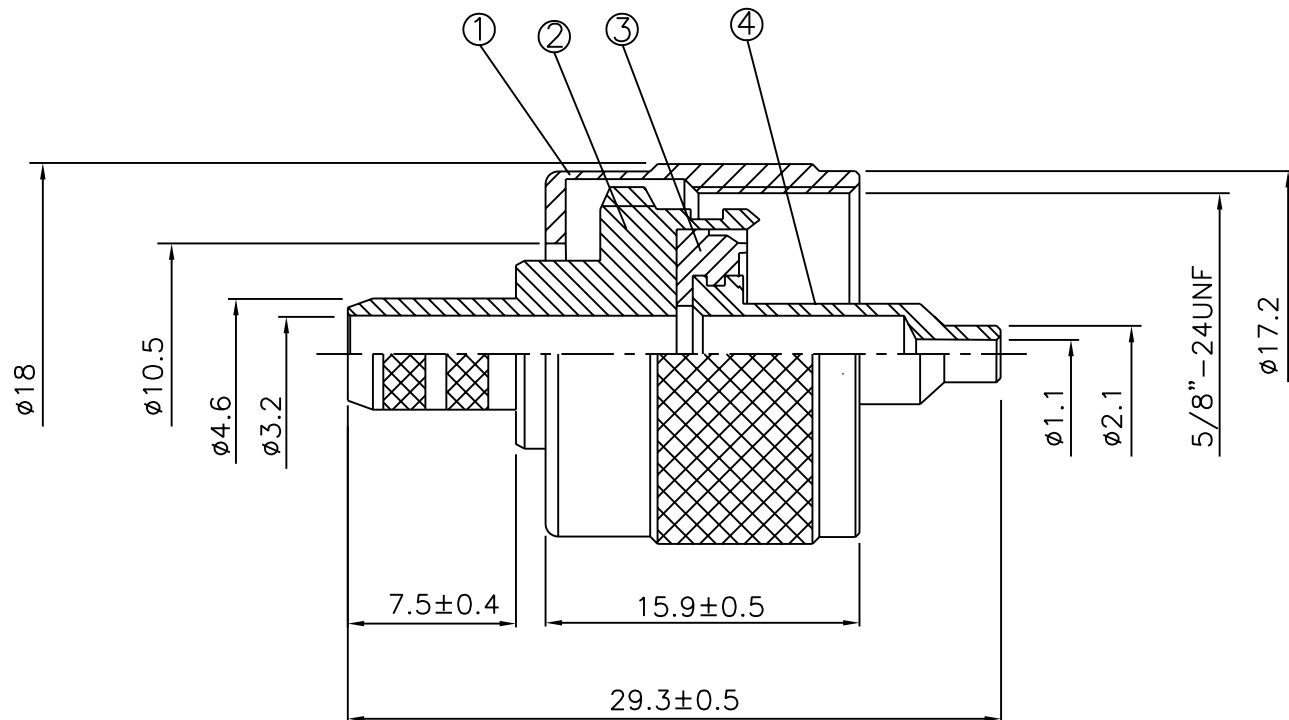
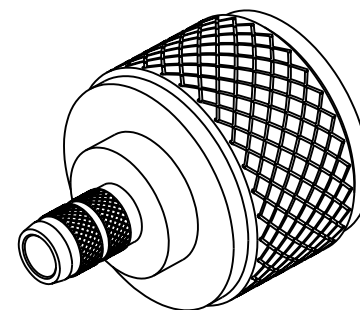


NO	DESCRIPTION	MATERIAL	Q'TY	FINISH
1	SHELL	BRASS	1	NICKEL
2	BODY	BRASS	1	NICKEL
3	INSULATION	DELRIN	1	DELRIN
4	PIN	BRASS	1	NICKEL
5	RING	BRASS	1	NICKEL



HUS-TSAN GROUP CO., LTD.
P.O. BOX 40-76. TAINAN. TAIWAN, R.O.C.
TITLE MALE CRIMP
RG58U, 58A/U, 141A/U
PART NO. UHF-04F-DNN
DRAWING NO. UHF 04F DNN

DRAWN MARY DATE 96.03.22
CHECKED 蘇姿潔 DATE
Q.A. 馮健華 DATE
APPROVAL 徐燦霖 DATE
REVISION DATE

DIMENSIONS ARE IN MILLIMETERS
UNLESS OTHERWISE SPECIFIED TOLERANCE
0.5-5 = ± 0.2 120-315 = ± 1
5-30 = ± 0.4 315-1000 = ± 1.6
30-120 = ± 0.6 1000-2000 = ± 2.4
SCALE 4:1 **SIZE A**

REVISION

DESCRIPTION ENGINEER