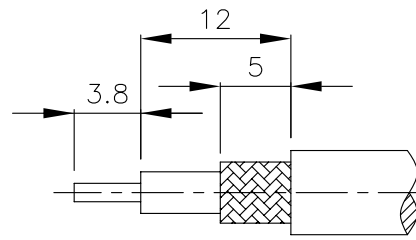
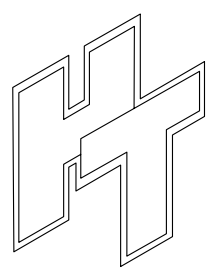
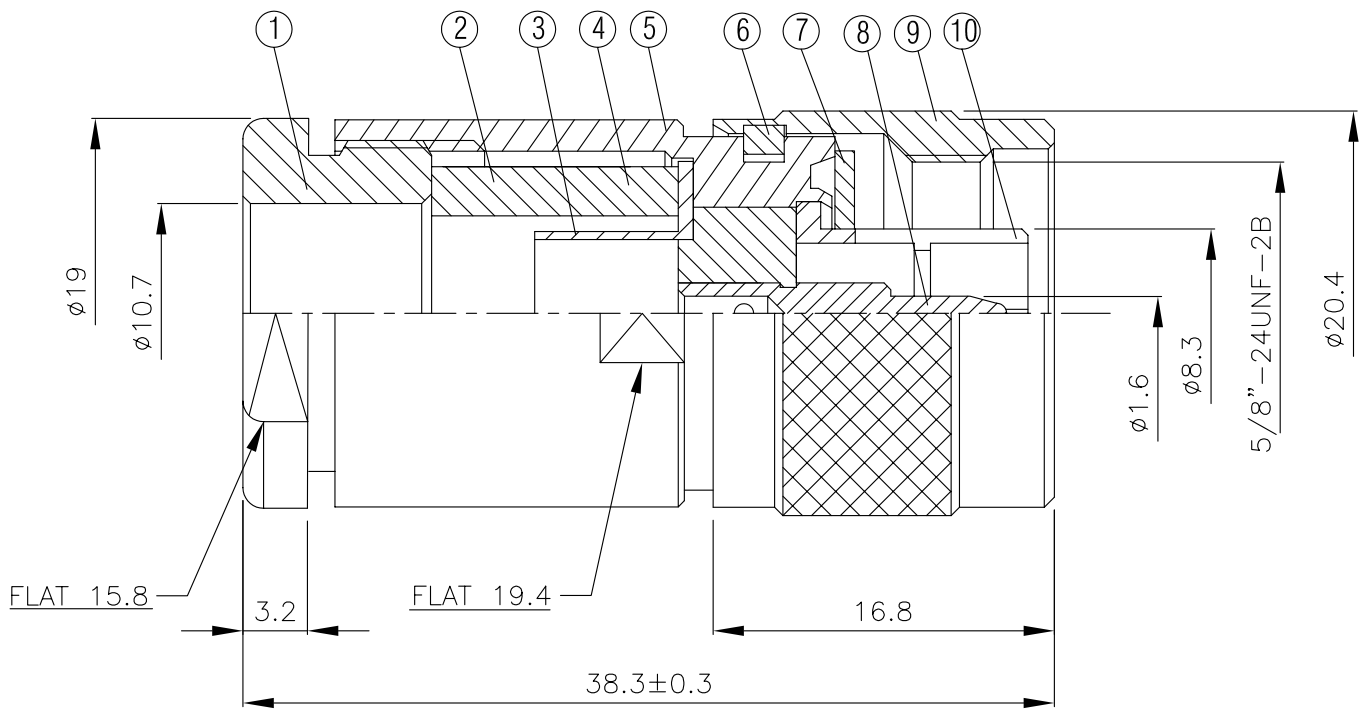
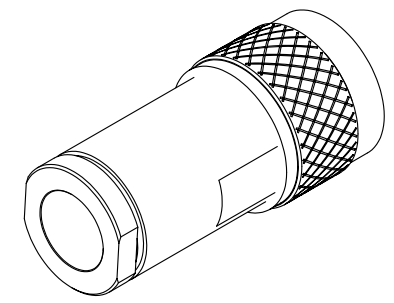


NO	DESCRIPTION	MATERIAL	Q'TY	FINISH	REMARK
1	NUT	BRASS	1	NICKEL	N-0019-N
2	RUBBER	SI RUBBER	1	RUBBER	RU-0018
3	BODY 1	BRASS	1	NICKEL	B-N0228-N
4	INSULATION	TEFLON	1	TEFLON	I-0043T
5	BODY 2	BRASS	1	NICKEL	B-N0227-N
6	WASHER	PH.BRONZE	1	NICKEL	W-0014-N
7	RUBBER	SI RUBBER	1	RUBBER	RU-0007
8	PIN	BRASS	1	GOLD	P-N0142-G
9	BODY 3	BRASS	1	NICKEL	B-N0032-N
10	BODY 4	BRASS	1	NICKEL	B-N0033-N



(Recommended Stripping Dimension)



HUS-TSAN GROUP CO., LTD.
P.O.BOX 40-76.TAINAN.TAIWAN,R.O.C.
TITLE N MALE CLAMP FOR RG 213/U
PART NO. N-01B-TGN
DRAWING NO. N 01B TGN

DRAWN MARY **DATE** 96.02.15
CHECKED 黃巧君 **DATE**
Q.A. 蘇姿潔 **DATE**
APPROVAL 徐燦霖 **DATE**
REVISION **DATE**

DIMENSIONS ARE IN MILLIMETERS
UNLESS OTHERWISE SPECIFIED TOLERANCE
0.5-5=±0.2 120-315=±1
5-30= ±0.4 315-1000=±1.6
30-120±0.6 1000-2000=±2.4
SCALE 4:1 **SIZE** A

REVISION	
DESCRIPTION	ENGINEER