

Instrukcja obsługi

MFJ-906

tuner antenowy
skrzynka antenowa

importer:

PRO-FIT Centrum Radiokomunikacji

InRadio

ul. Puszkina 80

92-516 Łódź

tel: 42 649 28 28

e-mail: biuro@inradio.pl

www.inradio.pl

General Information

MFJ's 6 Meter antenna tuner for *the Magic Band* gives you low SWR with practically any coax-fed antenna: mobile whips, dipoles, verticals, vees, random wires, beams.

With low SWR, your rig will be more efficient; you'll get more power out of your 6 meter transceiver and into your antenna for more DX, it will run cooler and last longer, and your expensive transceiver will be protected from overheating due to high SWR.

A lighted Cross-Needle SWR/Wattmeter shows SWR, forward and reflected power simultaneously in 300/60 forward and 30/6 reflected Watt ranges and has an ON/OFF lamp switch. With a built-in bypass switch, you can bypass your tuner and connect your transceiver directly to your antenna.

The MFJ-906 handles 100 Watts FM and 200 Watts SSB PEP. It works with all solid state and tube rigs and is perfect for home and mobile use. The MFJ-906 measures 8" x 2 1/2" x 3". The meter lamp uses 12 Vdc.

Installation

The MFJ-906 installs between your 6 meter transceiver and your antenna. Connect the MFJ-906's **TRANSMITTER** SO-239 to your 6 meter transceiver, and the **ANTENNA** SO-239 to your antenna. The meter lamp is powered by 12Vdc, through the **POWER** jack on the rear panel. Use an optional **MFJ-1312B** or another power transformer that provides 12V, 300 mA.

Operation

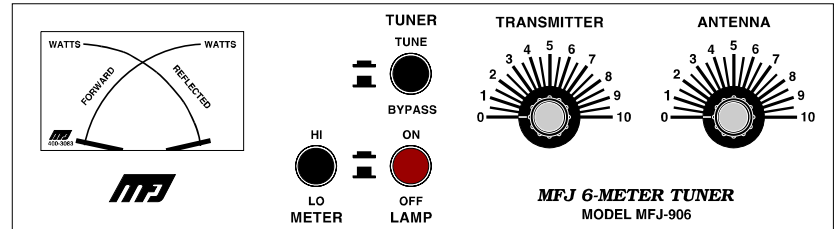
1. Ensure that the **TUNER** switch on the front panel is depressed in to the TUNE position.
2. For high power transmitters (30 Watts and up), depress the **METER** switch in to the HI position. For less than 30 Watts, this switch should be out, in the LO position.
3. Set **TRANSMITTER** and **ANTENNA** controls to **5** (capacitors half opened).
4. Apply enough transmitter power to give an adequate indication on your SWR meter. **Do not apply full power while tuning for minimum SWR!**
5. Referring to the cross-needle meter on the front panel, adjust the **TRANSMITTER** control for a drop in SWR.
6. Adjust the **ANTENNA** control until minimum SWR is achieved.

Note: Ignore the bottom scale

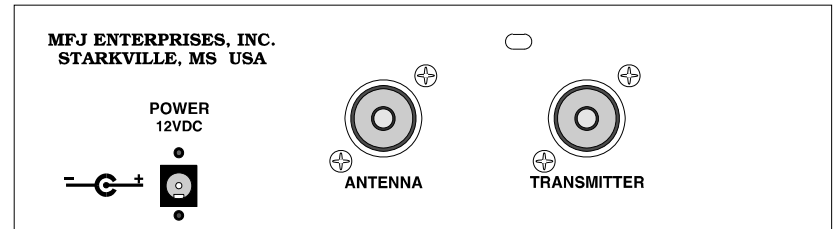
Note: Since the **TRANSMITTER** and **ANTENNA** controls interact, they must be adjusted alternately until minimum SWR is obtained.

- To bypass the MFJ-906, place the **TUNER** switch on the front panel out to the **BYPASS** position.

MFJ-906 Front Panel



MFJ-906 Rear Panel

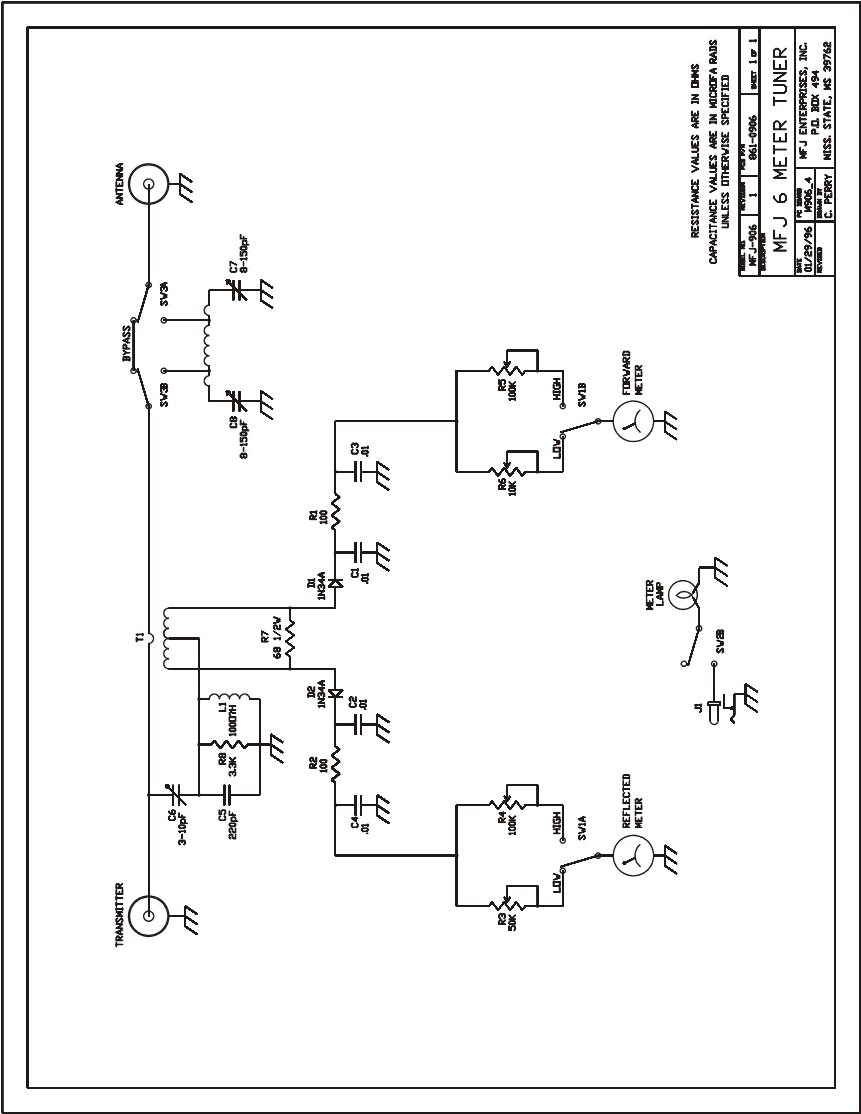


TECHNICAL ASSISTANCE

If you have any problem with this unit first check the appropriate section of this manual. If the manual does not reference your problem or your problem is not solved by reading the manual you may call *MFJ Technical Service* at **662-323-0549** or the *MFJ Factory* at **662-323-5869**. You will be best helped if you have your unit, manual and all information on your station handy so you can answer any questions the technicians may ask.

You can also send questions by mail to MFJ Enterprises, Inc., 300 Industrial Park Road, Starkville, MS 39759; by Facsimile to 662-323-6551; or by email to techinfo@mfjenterprises.com. Send a complete description of your problem, an explanation of exactly how you are using your unit, and a complete description of your station.

SCHEMATIC



DISCLAIMER

Information in this manual is designed for **user purposes only** and is *not* intended to supersede information contained in customer regulations, technical manuals/documents, positional handbooks, or other official publications. The copy of this manual provided to the customer will *not* be updated to reflect current data.

Customers using this manual should report errors or omissions, recommendations for improvements, or other comments to MFJ Enterprises, 300 Industrial Park Road, Starkville, MS 39759. Phone: (662) 323-5869; FAX: (662) 323-6551. Business hours: M-F 8-4:30 CST.

LIMITED 12 MONTH WARRANTY

MFJ Enterprises, Inc. warrants to the original owner of this product, if manufactured by MFJ Enterprises, Inc. and purchased from an authorized dealer or directly from MFJ Enterprises, Inc. to be free from defects in material and workmanship for a period of 12 months from date of purchase provided the following terms of this warranty are satisfied:

1. The purchaser must retain the dated proof-of-purchase (bill of sale, canceled check, credit card or money order receipt, etc.) describing the product to establish the validity of the warranty claim and submit the original or machine reproduction of such proof of purchase to MFJ Enterprises, Inc. at the time of warranty service. MFJ Enterprises, Inc. shall have the discretion to deny warranty without dated proof-of-purchase. Any evidence of alteration, erasure, or forgery shall be cause to void any and all warranty terms immediately.
2. MFJ Enterprises, Inc. agrees to repair or replace at MFJ's option without charge to the original owner any defective product under warranty provided the product is returned postage prepaid to MFJ Enterprises, Inc. with a personal check, cashiers check, or money order for \$10.00 covering postage and handling.
3. This warranty is NOT void for owners who attempt to repair defective units. Technical consultation is available by calling the Service Department at 662-323-0549 or the MFJ Factory at 662-323-5869.
4. This warranty does not apply to kits sold by or manufactured by MFJ Enterprises, Inc.
5. Wired and tested PC board products are covered by this warranty provided only the wired and tested PC board product is returned. Wired and tested PC boards installed in the owner's cabinet or connected to switches, jacks, or cables, etc. sent to MFJ Enterprises, Inc. will be returned at the owner's expense unrepaired.
6. Under no circumstances is MFJ Enterprises, Inc. liable for consequential damages to person or property by the use of any MFJ products.
7. Out-of-Warranty Service: MFJ Enterprises, Inc. will repair any out-of-warranty product provided the unit is shipped prepaid. All repaired units will be shipped COD to the owner. Repair charges will be added to the COD fee unless other arrangements are made.
8. This warranty is given in lieu of any other warranty expressed or implied.
9. MFJ Enterprises, Inc. reserves the right to make changes or improvements in design or manufacture without incurring any obligation to install such changes upon any of the products previously manufactured.
10. All MFJ products to be serviced in-warranty or out-of-warranty should be addressed to:

**MFJ Enterprises, Inc.
300 Industrial Park Road
Starkville, Mississippi 39759 USA**

and must be accompanied by a letter describing the problem in detail along with a copy of your dated proof-of-purchase and a daytime telephone number.

11. This warranty gives you specific rights, and you may also have other rights which vary from state to state.

