

# ACOM 2000S

**AUTOMATIC ANTENNA SELECTOR**

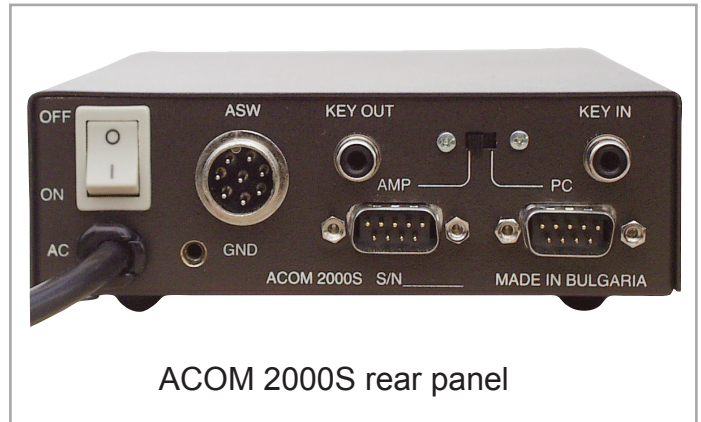


# ACOM 2000S

## AUTOMATIC ANTENNA SELECTOR

### FEATURES

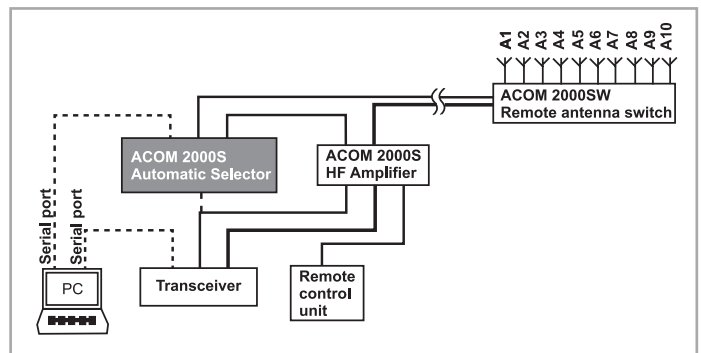
- Monitors “ready to transmit” parallel input signal from an antenna switch and generates “transmit inhibit” output signal to the transceiver for maximum operating flexibility and anti-hot switching protection.
- Directly compatible with ACOM 2000A automatic HF linear amplifier and ACOM 2000SW remote antenna switch; control is compatible with other systems via inverse BCD output code and RS232 serial input from PC etc.
- Local network capability, compatible with ACOM 2000A automatic HF linear amplifier.
- Antenna number 7-segment LED indicator plus sound alarm.



ACOM 2000S rear panel

### TECHNICAL SPECIFICATIONS

- Number of antennas selectable: 1 out of 10.
- Input control: RS232 +/-12V serial port of ACOM 2000A and/or PC, simple commands.
- Output control: 4-bit inverted parallel BCD code, 27V/25mA bit levels.
- Power supply: 120/240VAC internally selectable, +/-10% tolerance, 50-60Hz, 15VA.
- Operating temperature range: 0 to +50 oC.
- Dimensions: W 131mm (5-1/8”) x H 51mm (2”) x D 164mm (6-1/3”).
- Weight: 1.3kg (2.85 lbs).



**Both ACOM2000SW and ACOM2000S operate and are sold together.**



ACOM 2000SW remote antenna switch



### ACOM OOD

Bul. Nikola Mushanov 151  
1330 Sofia, Bulgaria  
phone: +359 2 920 96 55  
fax: +359 2 920 96 56  
e-mail: [acom@mail.orbitel.bg](mailto:acom@mail.orbitel.bg)  
[www.acom-bg.com](http://www.acom-bg.com)