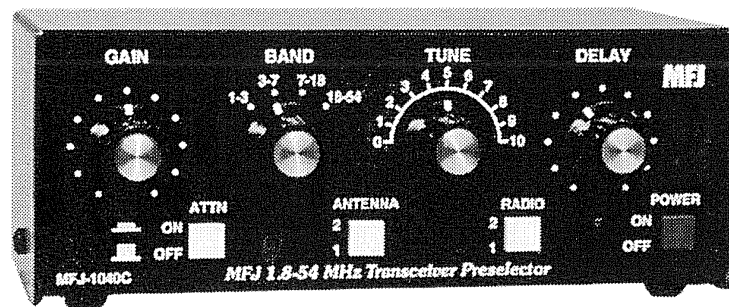


MFJ

Transceiver Preselector

Model MFJ-1040C



INSTRUCTION MANUAL

CAUTION: Read All Instructions Before Operating Equipment !

MFJ ENTERPRISES, INC.

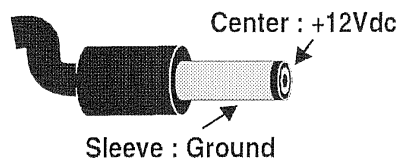
300 Industrial Park Road
Starkville, MS 39759 USA
Tel: 662-323-5869 Fax: 662-323-6551

INTRODUCTION

The MFJ-1040C Transceiver Preselector is a high gain RF amplifier which covers 1 to 54 MHz in 4 bands. It lets you copy weak signals while rejecting out of band signals and images. The unit has switching capability to select one of two transceivers and one of two antennas for added versatility. There is also a relay which automatically bypasses the amplifier when transmitting up to 125 watts. The amplifier is bypassed when transmitting or when the relay line is grounded.

INSTALLATION

1. Connect the antenna(s) to the appropriate SO-239 connectors.
2. Connect the radio(s) to the appropriate SO-239 connectors.
3. Connect a MFJ-1312D or a 12 Vdc supply to the power jack.



4. If the MFJ-1040C is to be used with a transceiver, it may be operated one of two ways:
 - A. If automatic bypass (VOX type operation) is desired no additional connections are needed.
 - B. If push-to-talk operation is desired connect the relay phono jack to an auxiliary relay contact on the transceiver (such as a relay line for a linear amplifier). The auxiliary contact must ground the relay contact on the MFJ-1040C.

OPERATION

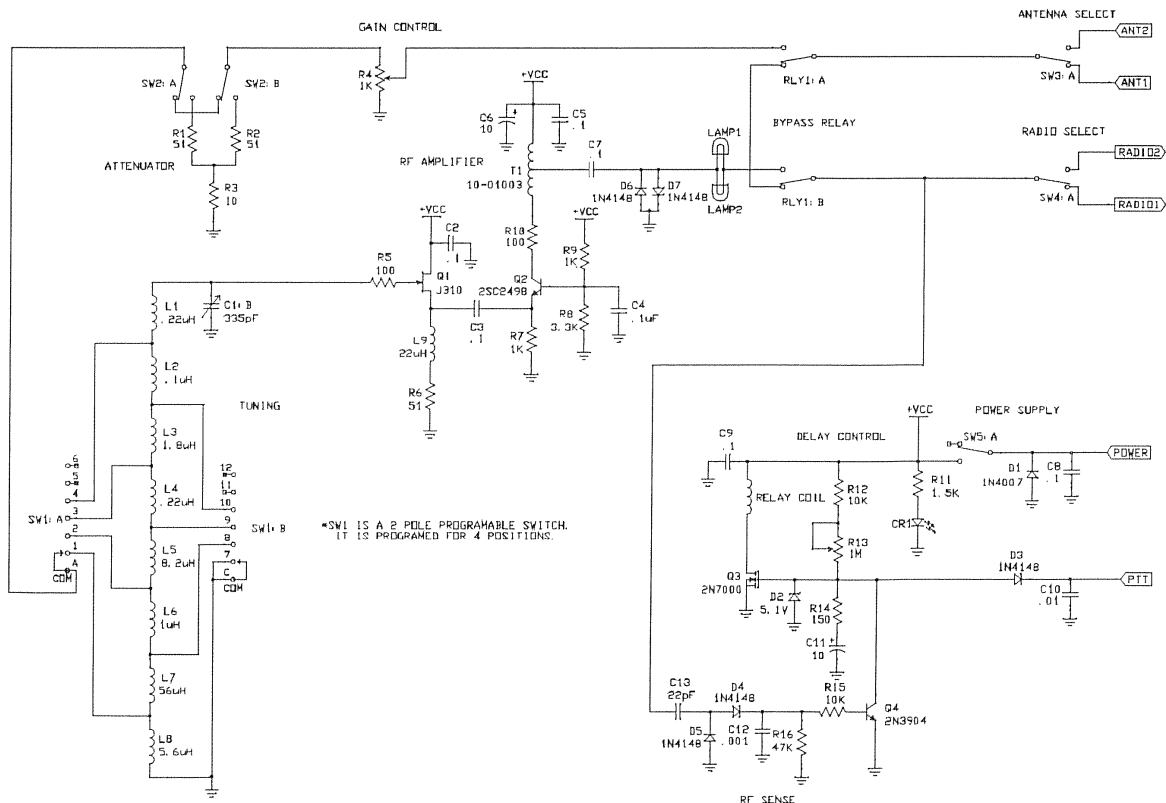
1. Select the proper antenna and receiver with the appropriate switches.
2. Turn the BAND switch to the proper frequency range and the GAIN control to maximum.
3. Turn on the MFJ-1040C. The green LED should illuminate.
Note: The MFJ-1040C is bypassed when it is turned off.
4. Turn the TUNE control for maximum signal.
5. With some antennas, a high GAIN setting may make the unit appear to chirp or whistle as the TUNE control is rotated. Turn down the GAIN control until these are removed or disappear.
6. If the preamplifier has problems with very strong signals interfering, decrease the gain or push the 20 db attenuator to reduce the interference.

- If the unit is used with a transceiver in the RF sense automatic bypass mode (push-to-talk relay connection is not used), set the delay control so the relay operates to receive in a convenient time after the transmission (this is a VOX type of operation). If the MFJ-1040C is used with an AM or FM rig the delay may be set very short, because a carrier will be present throughout the transmission. For SSB or CW, the delay should be set so that the relay is energized between syllables or CW characters. If the relay line is used, there is no delay of the amplifier when you go to receive.

TECHNICAL ASSISTANCE

If you have any problem with this unit first check the appropriate section of this manual. If the manual does not reference your problem or your problem is not solved by reading the manual you may call *MFJ Technical Service* at **662-323-0549** or the *MFJ Factory* at **662-323-5869**. You will be best helped if you have your unit, manual and all information on your station handy so you can answer any questions the technicians may ask.

You can also send questions by mail to MFJ Enterprises, Inc., 300 Industrial Park Road, Starkville, MS 39759; by Facsimile to 662-323-6551; or by email to techinfo@mfjenterprises.com. Send a complete description of your problem, an explanation of exactly how you are using your unit, and a complete description of your station.



LIMITED 12 MONTH WARRANTY

MFJ Enterprises, Inc. warrants to the original owner of this product, if manufactured by MFJ Enterprises, Inc. and purchased from an authorized dealer or directly from MFJ Enterprises, Inc. to be free from defects in material and workmanship for a period of 12 months from date of purchase provided the following terms of this warranty are satisfied:

1. The purchaser must retain the dated proof-of-purchase (bill of sale, canceled check, credit card or money order receipt, etc.) describing the product to establish the validity of the warranty claim and submit the original or machine reproduction of such proof of purchase to MFJ Enterprises, Inc. at the time of warranty service. MFJ Enterprises, Inc. shall have the discretion to deny warranty without dated proof-of-purchase. Any evidence of alteration, erasure, or forgery shall be cause to void any and all warranty terms immediately.
2. MFJ Enterprises, Inc. agrees to repair or replace at MFJ's option without charge to the original owner any defective product under warranty provided the product is returned postage prepaid to MFJ Enterprises, Inc. with a personal check, cashiers check, or money order for \$7.00 covering postage and handling.
3. This warranty is NOT void for owners who attempt to repair defective units. Technical consultation is available by calling the Service Department at 662-323-0549 or the MFJ Factory at 662-323-5869.
4. This warranty does not apply to kits sold by or manufactured by MFJ Enterprises, Inc.
5. Wired and tested PC board products are covered by this warranty provided only the wired and tested PC board product is returned. Wired and tested PC boards installed in the owner's cabinet or connected to switches, jacks, or cables, etc. sent to MFJ Enterprises, Inc. will be returned at the owner's expense unrepaired.
6. Under no circumstances is MFJ Enterprises, Inc. liable for consequential damages to person or property by the use of any MFJ products.
7. Out-of-Warranty Service: MFJ Enterprises, Inc. will repair any out-of-warranty product provided the unit is shipped prepaid. All repaired units will be shipped COD to the owner. Repair charges will be added to the COD fee unless other arrangements are made.
8. This warranty is given in lieu of any other warranty expressed or implied.
9. MFJ Enterprises, Inc. reserves the right to make changes or improvements in design or manufacture without incurring any obligation to install such changes upon any of the products previously manufactured.
0. All MFJ products to be serviced in-warranty or out-of-warranty should be addressed to:

MFJ Enterprises, Inc.
300 Industrial Park Road
Starkville, Mississippi 39759 USA

and must be accompanied by a letter describing the problem in detail along with a copy of your dated proof-of-purchase.

1. This warranty gives you specific rights, and you may also have other rights which vary from state to state.

Autoryzowany Przedstawiciel MFJ w Polsce:

abel & **INRADIO**
profit **ABEL & PRO-FIT Centrum Radiokomunikacji**
ul. Puzskina 80 92-516 Łódź Poland
tel. (+42) 649 28 28 fax: (+42) 677 04 71
e-mail: biuro@inRADIO.pl
internet: www.inRADIO.pl
centrum radiokomunikacji